



## Product data sheet

Technifor

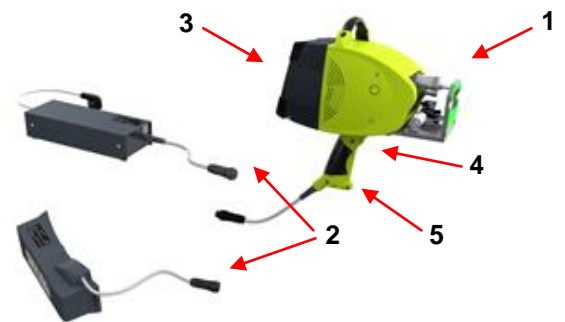


## XM700

The XM700 is a numerically controlled dot peen marking machine. This machine works by moving a marking tool along the X and Y axes. The principle of dot peen is based on making indents on the part surface. The control unit and the touch screen are integrated. It can be used with a power supply or a battery for full mobility.

## DESCRIPTION:

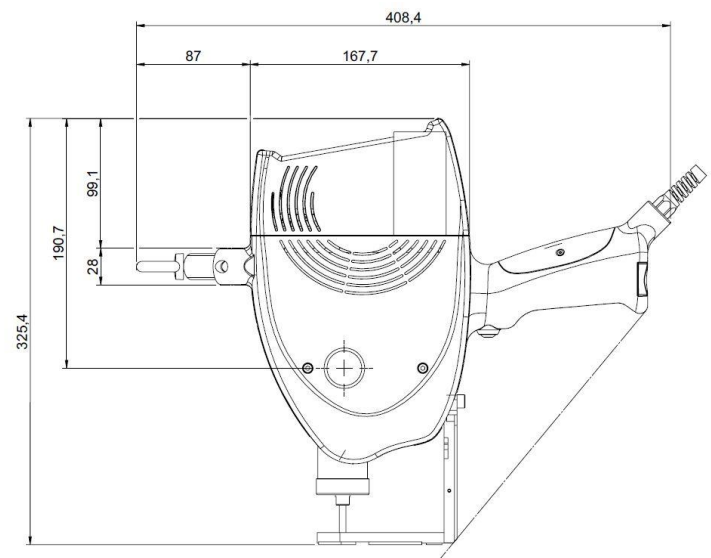
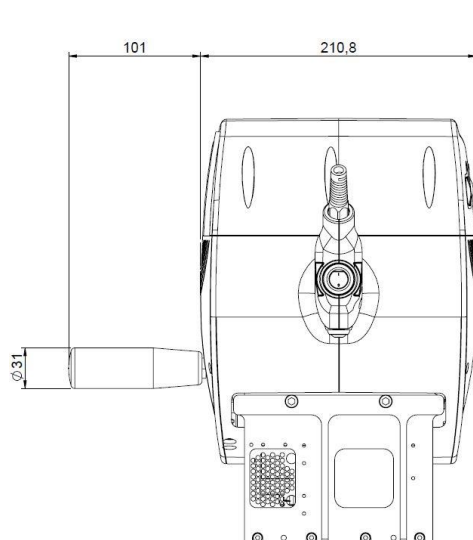
- 1 : Stylus
- 2 : Connect the machine to the mains power supply or to the battery
- 3 : 7" colour touch screen
- 4 : Marking start trigger
- 5 : On / Off switch



## SPECIFICATIONS

Machine		Machine		Environment	
Technology	Electromagnetic	Marking area	80x30 mm	Operating temperature	5 to 45°C
Dimensions (LxHxh)	325x211x408mm	Character size	From 1.5 to 28 mm	Operating humidity	20-85%
Weight	4.95 kg (without foot) 5.4 kg (with foot)	Internal software	P07	Power supply	100 to 240 V AC 50 to 60 Hz
Control Unit	Integrated	Connections	2 USB, RS232, Ethernet	Compliance	CE ROHS, REACHS
Touch screen	7", colour , resistive				

## DIMENSIONS:



### 1. BATTERY

The battery maximizes the flexibility of the machine. Belt-mounting permits a large capacity for long intervals between charges, while providing all-day comfort and leaving both hands free. You can go anywhere you want to mark, with no distance limits.

Specifications	
Holder	On belt
Technology	Li-ion
Weight	1kg
Power supply	100 V AC – 240 V AC 50 to 60 Hz
Standard	UN38.3
Ref	75887

#### Your benefits

- ✓ Light battery, allows moving easily in all environment.
- ✓ Very high autonomy for marking
- ✓ Same marking result as power supply (same depth, same strength)



Perfect for traceability in steel yard

### 2. M-TRAVEL – TRANSPORT CASE



M-Travel is fitted to the machine and accessories, enabling you to transport in complete safety even in harsh environments. You can order a **full mobile** solution including the portable machine, the battery on belt delivered in transport suitcase.

Specifications	
Dimensions	613x460x320 mm
Weight	8 kg
Ref	73289

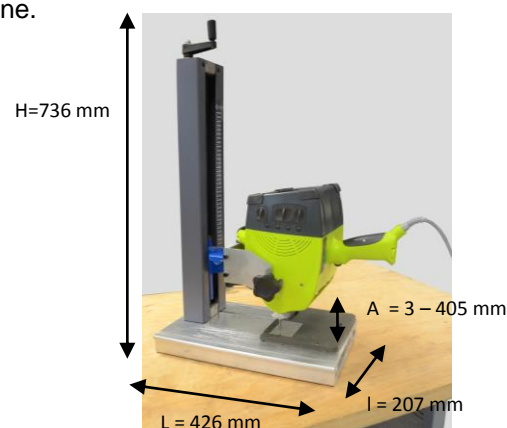
Ideal for Inventory control at remote sites

### 3. DOCKING STATION – HYBRID SOLUTION

The docking station allows the XM700 to be used as a column-mount machine. This quick-disconnect system does not require any tools.

Specifications	
Dimensions ( HxLxI)	736 x 426 x 207 mm
Weight	20kg
Height adjustment	Manually by crank handle
Amplitude	3 mm to 405 mm
Ref	73117

Great for the pump industry, mark large casting and the ID tags with one system.



### 4. OTHERS OPTIONS AND ACCESSORIES

<p>Marking area light. To ease part placement Ref: 74606</p>		<p>Side Handle Left or right mounting Ref: 72186</p>		<p>Cooling fan to increase operating factor Ref: 73066</p>	
<p>Lift ring Ref: 52307</p>		<p>Barcode reader for data import Ref: 63129</p>		<p>Screen protection Ref: 75352</p>	